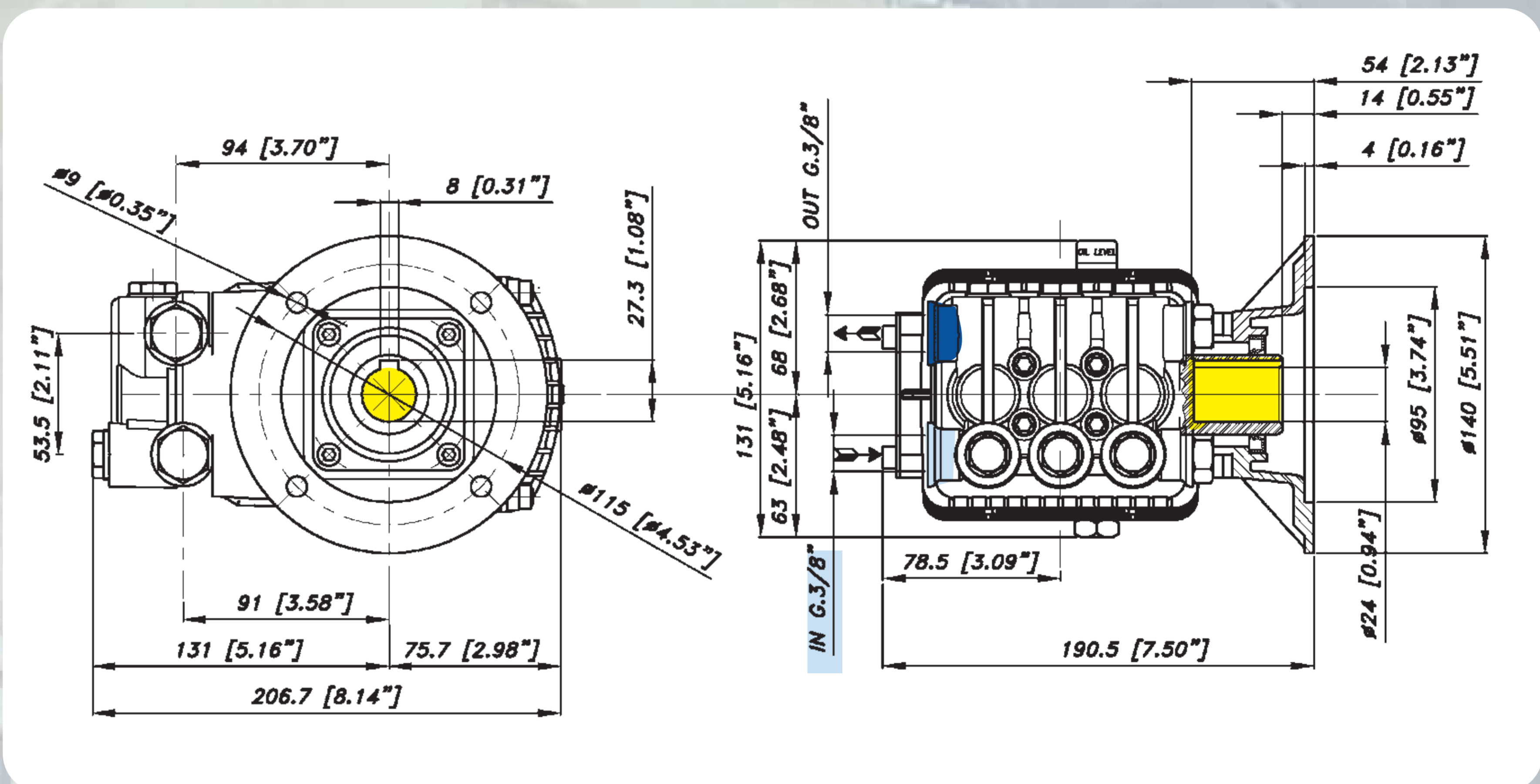


state of the art precision  
 customised highest quality  
**WJC-U**

**CARATTERISTICHE - SPECIFICATIONS**

IN	DIAMETER	∅	G. 3/8
	PRESS.	Min.	1 bar 15 PSI
		Max.	6 bar 87 PSI
TEMP.	Max.	60° C. 140° F.	
OUT	DIAMETER	∅	G. 3/8
SHAFT		∅	HOLLOW 24 mm
OIL		SAE 75W 90	0,5 litri 0,13 U.S.G.
PESO WEIGHT		Kg lbs	6 / 13,2



**WJC-U 1450 rpm**

**CARATTERISTICHE - FEATURES**

**PERFORMANCE CHART**

CODICE CODE	MODELLO MODEL	PRESSIONE MAX MAX PRESSURE		PORTATA FLOW		POTENZA POWER		PIST. PLUNG. Dia.mm	CORSA STROKE mm
		bar	PSI	l/min	GPM	KW	HP		
04.4704.97.3	WJC-U 110	100	1450	1,3	0,3	0,3	0,4	15	2
04.4703.97.3	WJC-U 210	100	1450	2,0	0,5	0,5	0,6	15	3
04.4705.97.3	WJC-U 410	100	1450	4,1	1,1	0,9	1,2	15	6
04.4706.97.3	WJC-U 710	100	1450	7,0	1,8	1,4	1,9	15	10